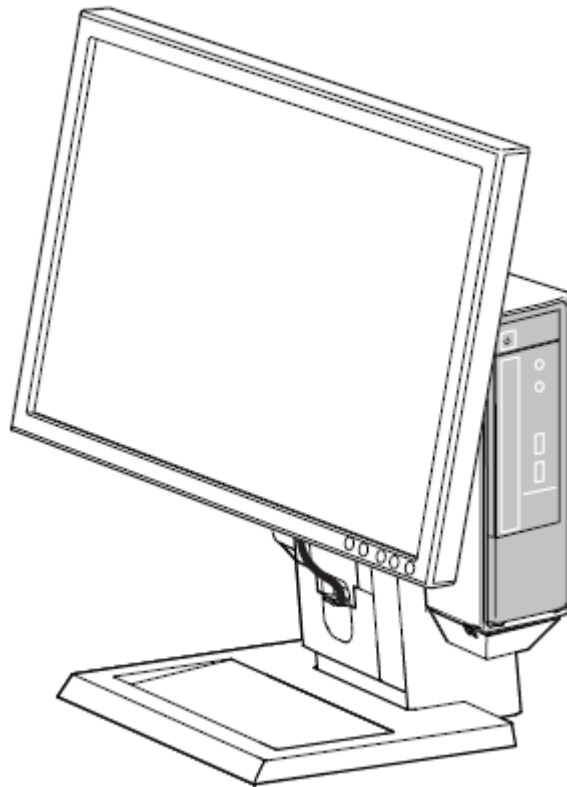




dell.com/regulatory\_compliance

# User's Guide

## Dell™ OptiPlex™ 780-USFF All In One (AIO) Stand







The Dell OptiPlex 780-USFF All-in-One Stand is a unique mounting solution with integrated cable management designed to adapt to your unique environment.

[www.dell.com](http://www.dell.com) | [support.dell.com](http://support.dell.com)

## Hazard Symbols Review

These symbols alert the user about a safety condition that demands attention. All users of the product should be able to recognize and understand the significance of the following safety hazards if encountered on the product or within product documentation.

Symbol	Signal Word	Level of Hazard
	<b>NOTE</b>	A NOTE indicates important information that helps you make better use of your Dell AIO Stand.
	<b>CAUTION</b>	A CAUTION indicates potential damage to hardware or loss of data and tells you how to avoid the problem.
	<b>WARNING</b>	A WARNING indicates a potential for property damage, personal injury, or death.
	<b>ELECTRICAL</b>	An ELECTRICAL indicates an impending electrical hazard which, if not avoided, may result in personal injury, fire and/or death.



**WARNING** : Risk of electric shock. Do not expose electric parts to liquids.



**WARNING** : To reduce risk of injury and/or equipment damage, the AIO Stand must be placed on a level, stable surface.

Information in this document is subject to change without notice.

© 2009 Dell™ Inc. All rights reserved.

Reproduction of these materials in any manner whatsoever without the written permission of Dell Inc. is strictly forbidden.

Trademarks used in this text: *Dell*, the *DELL* logo, and *OptiPlex* are trademarks of Dell Inc.

Other trademarks and trade names may be used in this document to refer to either the entities claiming the marks and names or their products. Dell Inc. disclaims any proprietary interest in trademarks and trade names other than its own.

Model ARAIO

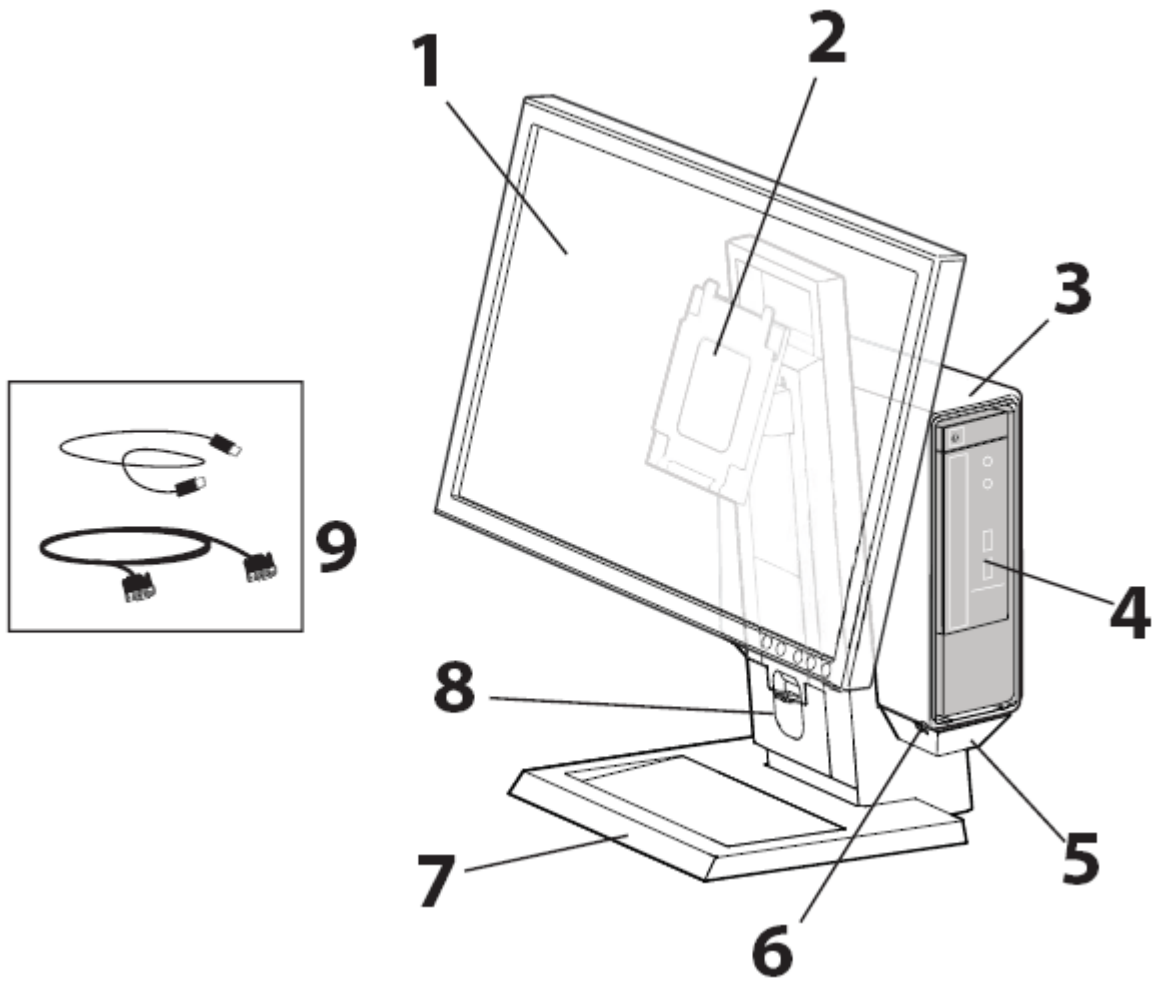
October 2009 Rev. A00

# Contents

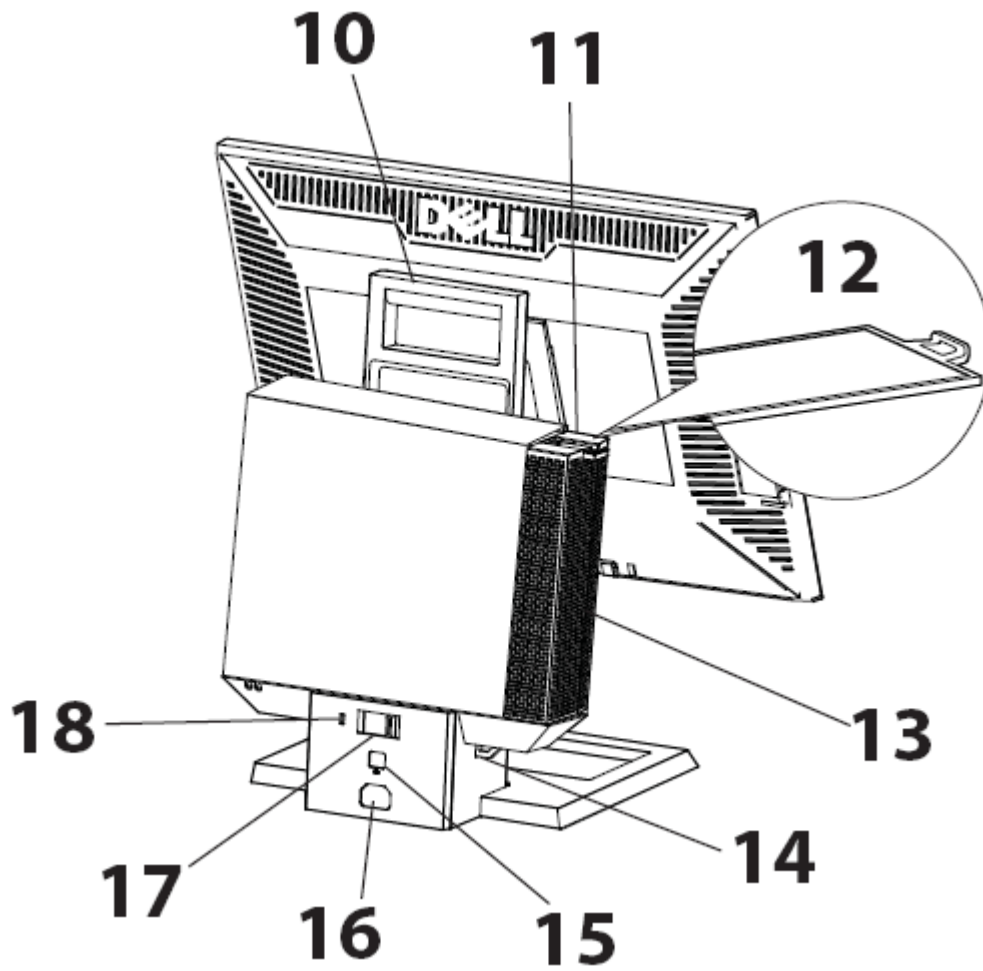
<b>1</b>	<b>About your Dell OptiPlex 780-USFF AIO Stand .....</b>	<b>4</b>
<b>2</b>	<b>Setting up the Dell OptiPlex 780-USFF AIO Stand .....</b>	<b>6</b>
<b>3</b>	<b>Specifications .....</b>	<b>15</b>
<b>4</b>	<b>Finding Information .....</b>	<b>15</b>

# About your Dell OptiPlex 780-USFF AIO Stand

# 1



- 1 DELL Monitor: P190S/1909W/P2210
- 2 DELL Quick Release Monitor Mounting Plate
- 3 System Sleeve
- 4 System Chassis: Dell OptiPlex 780-USFF
- 5 Cable Tray
- 6 Cable Channels
- 7 Swiveling Base - 360° Pan
- 8 Front Cable Cover
- 9 Provided Cables: VGA and USB



- 10 Handle
- 11 System Cable Cover Lock Switch
- 12 System Label Carrier
- 13 System Cable Cover
- 14 Padlock Ring
- 15 Network Cable Slot
- 16 Wall Power Cord Slot
- 17 System Lock Switch
- 18 Kensington Security Slot

# Setting up the Dell OptiPlex 780-USFF AIO Stand

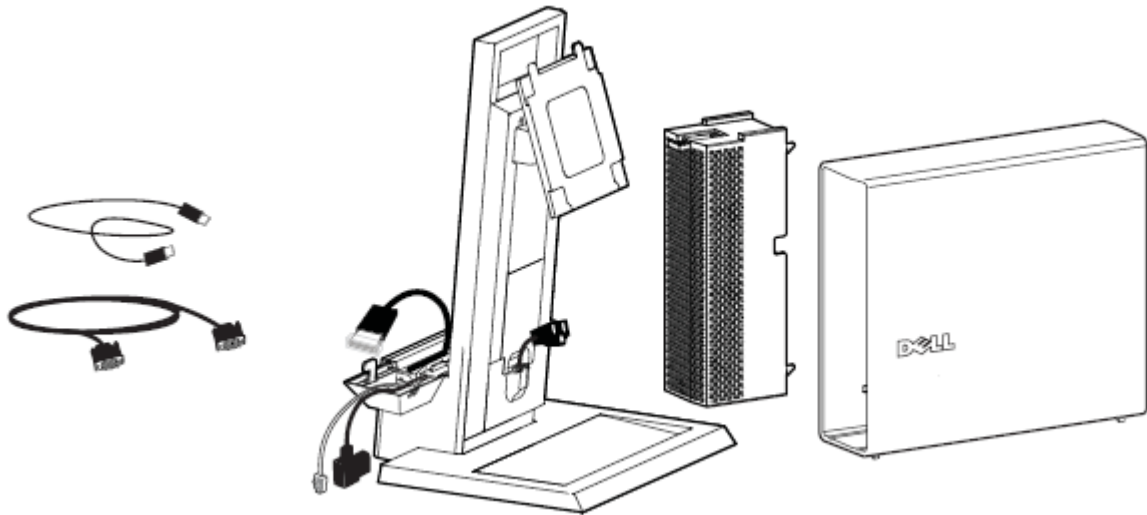
# 2

## Components

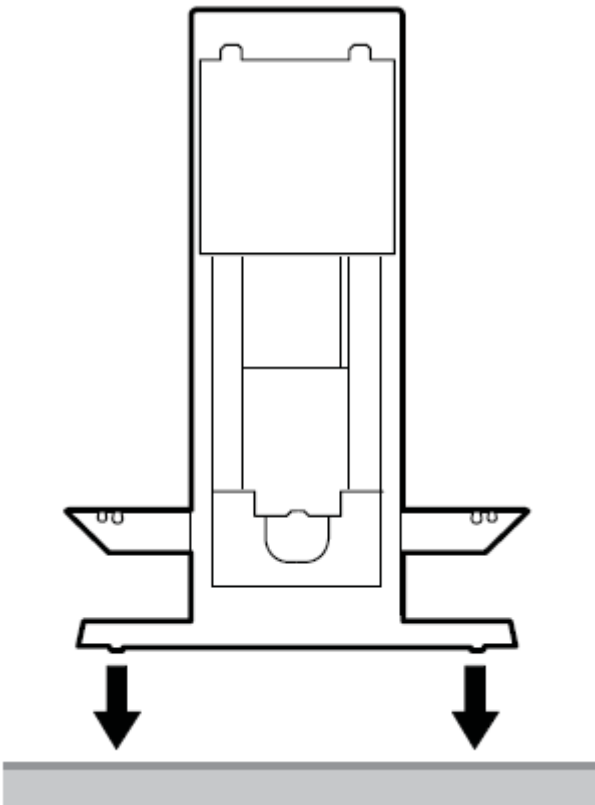
AIO Stand, Cable Cover, System Sleeve, VGA / USB Cable



NOTE : Refer to the Monitor and System Instruction Guides, packaged separately.



- 1 Place the AIO Stand on a level, stable surface.



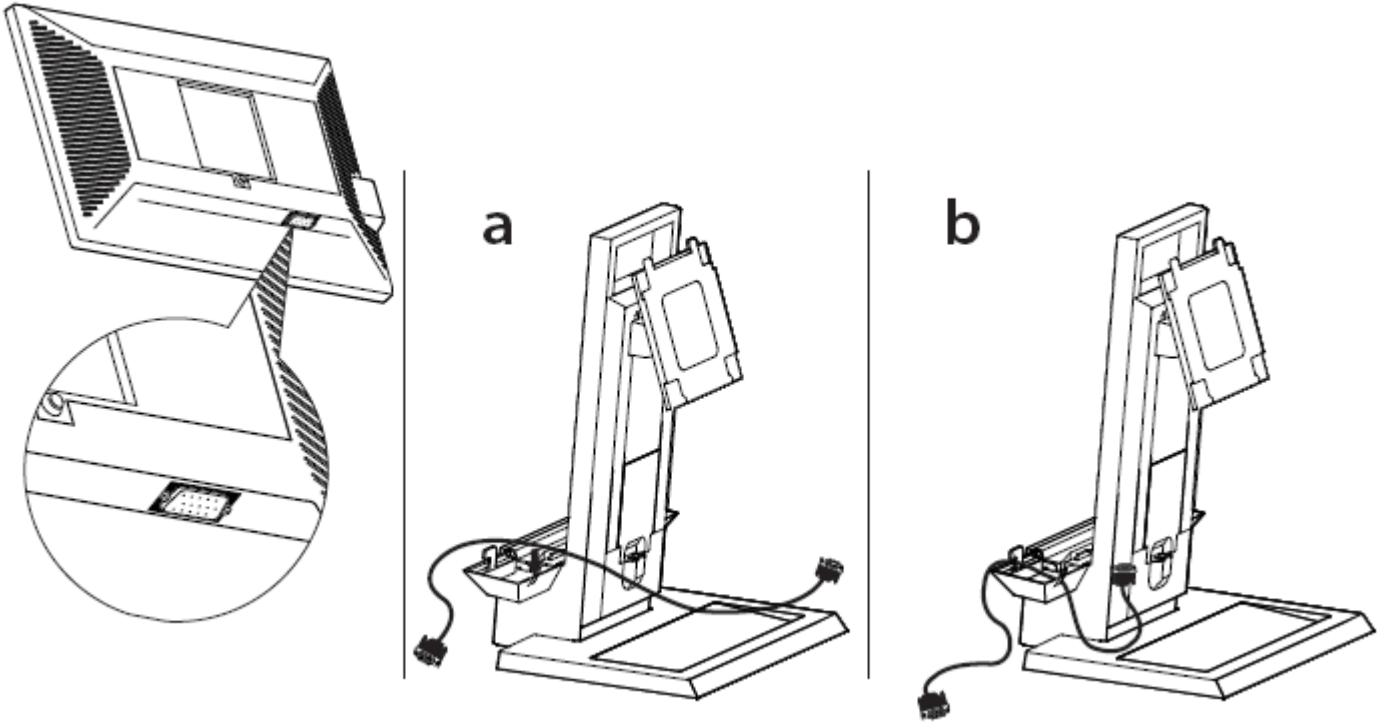
WARNING : To reduce risk of injury and/or equipment damage, the AIO Stand must be placed on a level, stable surface.



**2** Determine which monitor cable will be used (VGA or DisplayPort), and follow appropriate instructions.

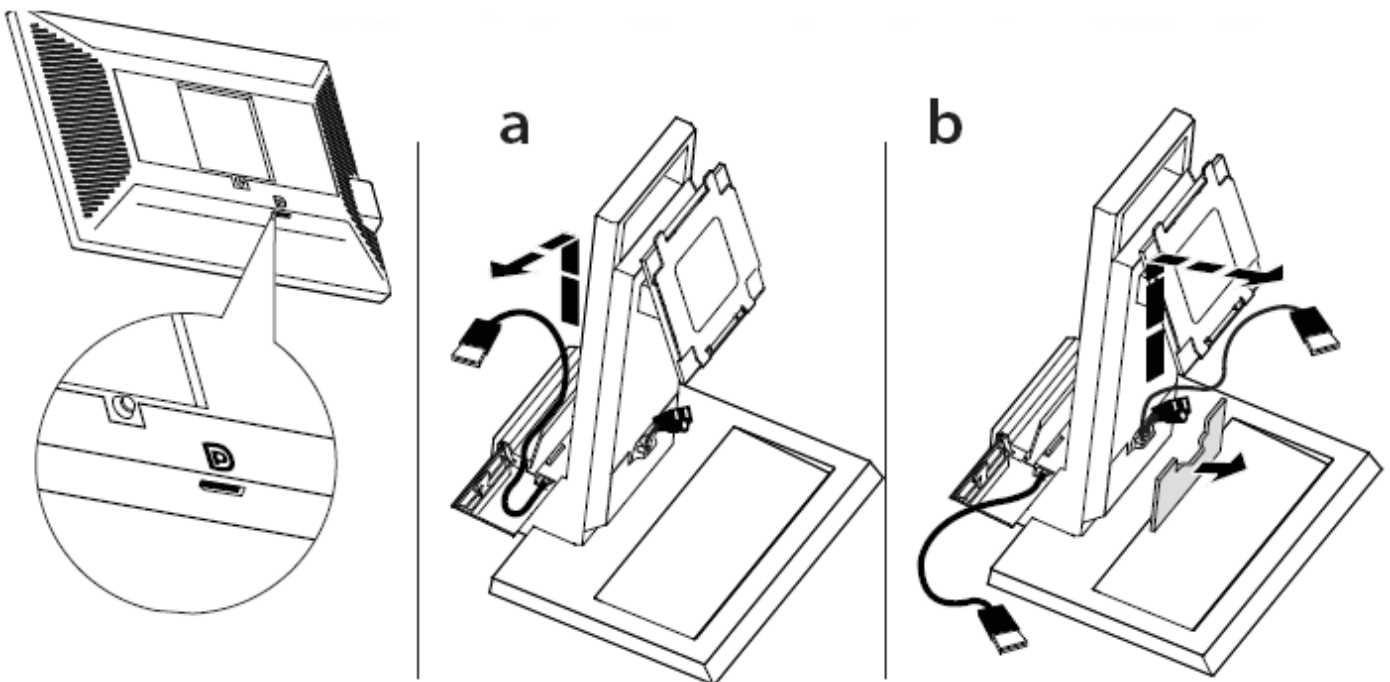
### VGA

- a** Locate the provided VGA cable.
- b** Route the VGA cable through the cable tray.

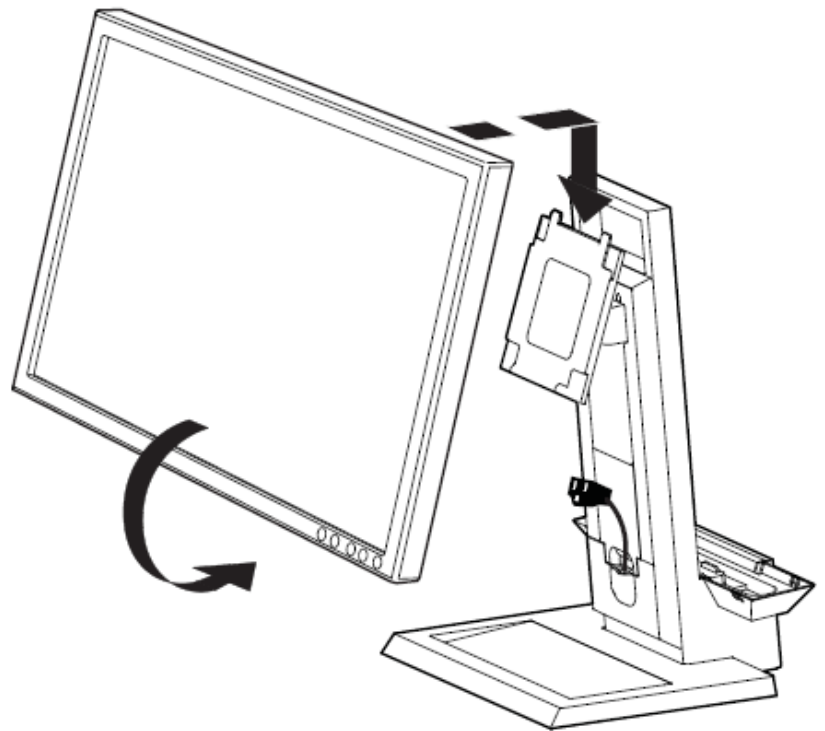


### DisplayPort

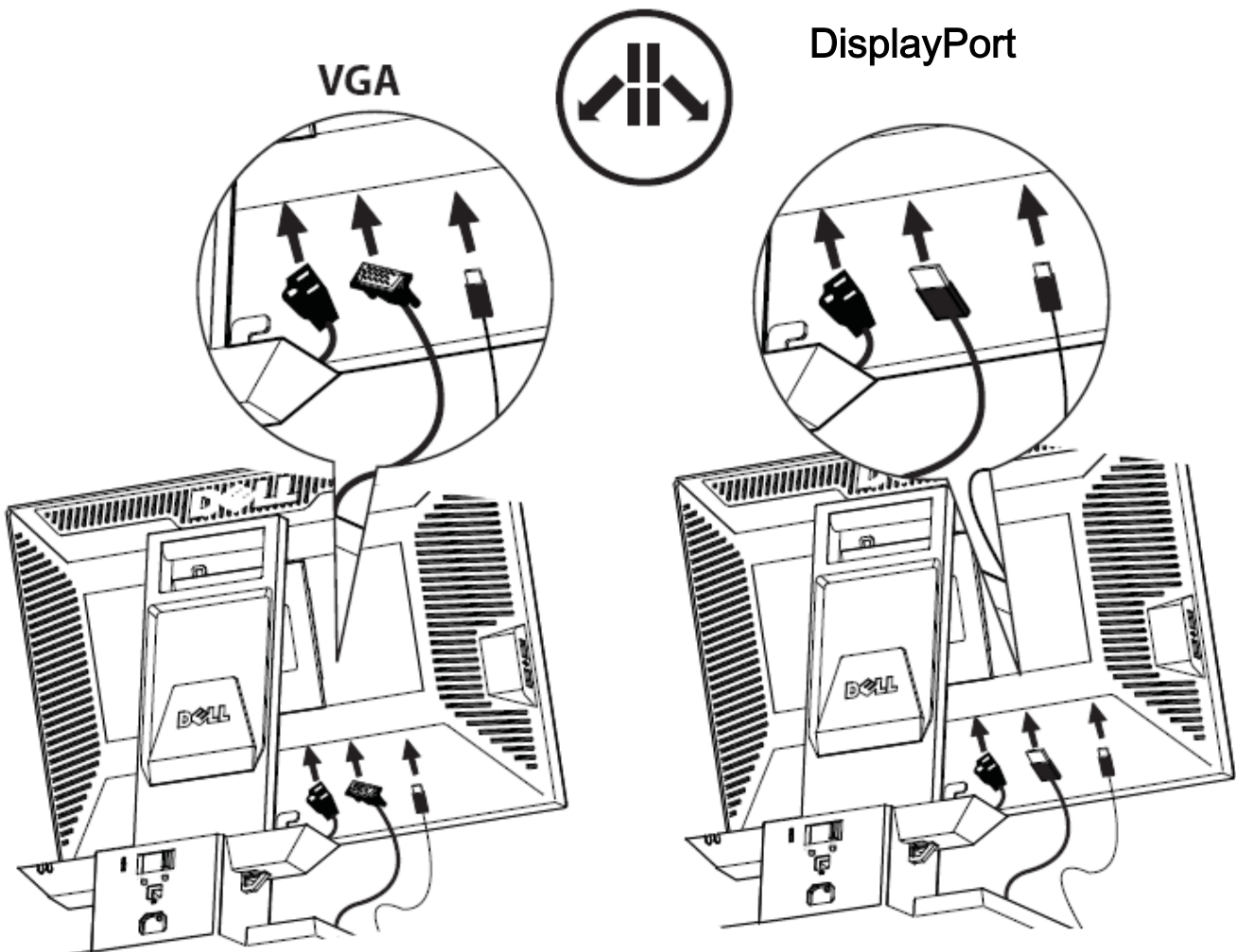
- a** Locate the system-end of the cable in the cable tray.
- b** Remove the front cable cover to locate the monitor-end of the cable.



- 3** Attach the monitor to the AIO stand.

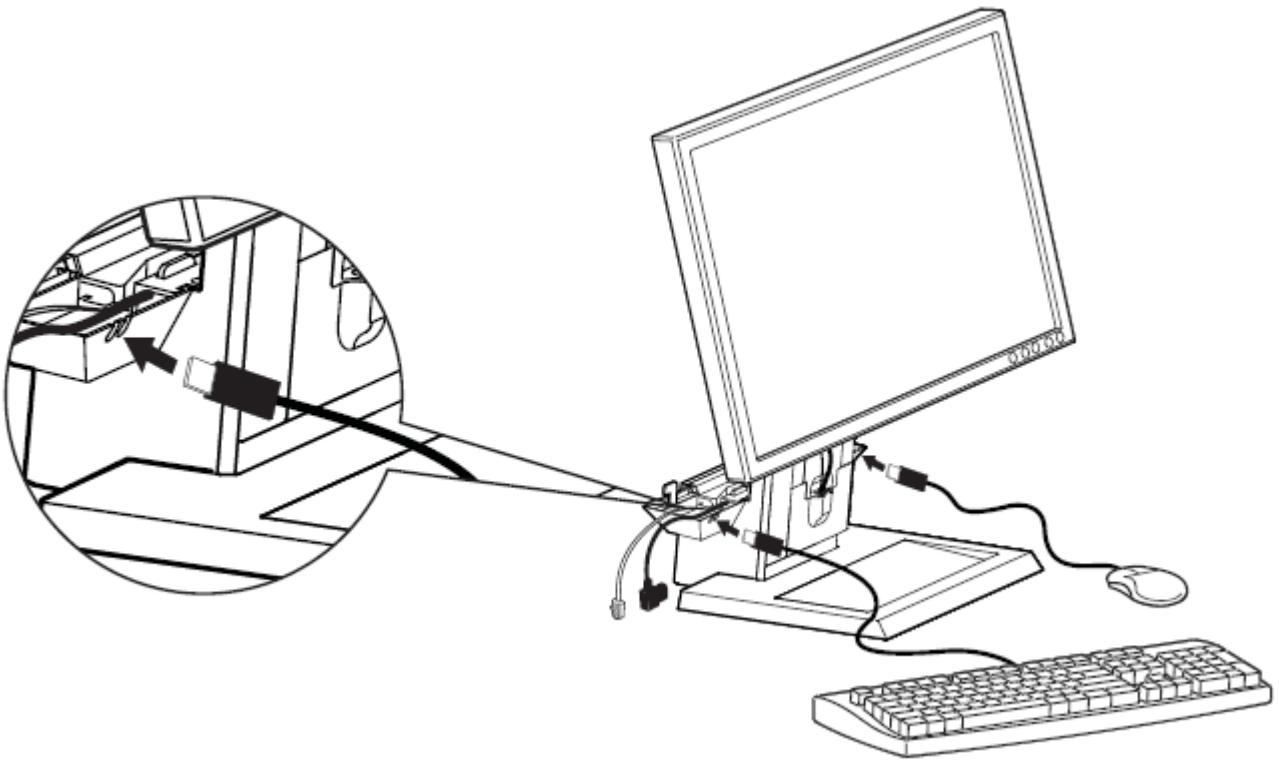


- 4** Connect the power plug, the monitor cable (VGA or DisplayPort), and the USB cable to the monitor.

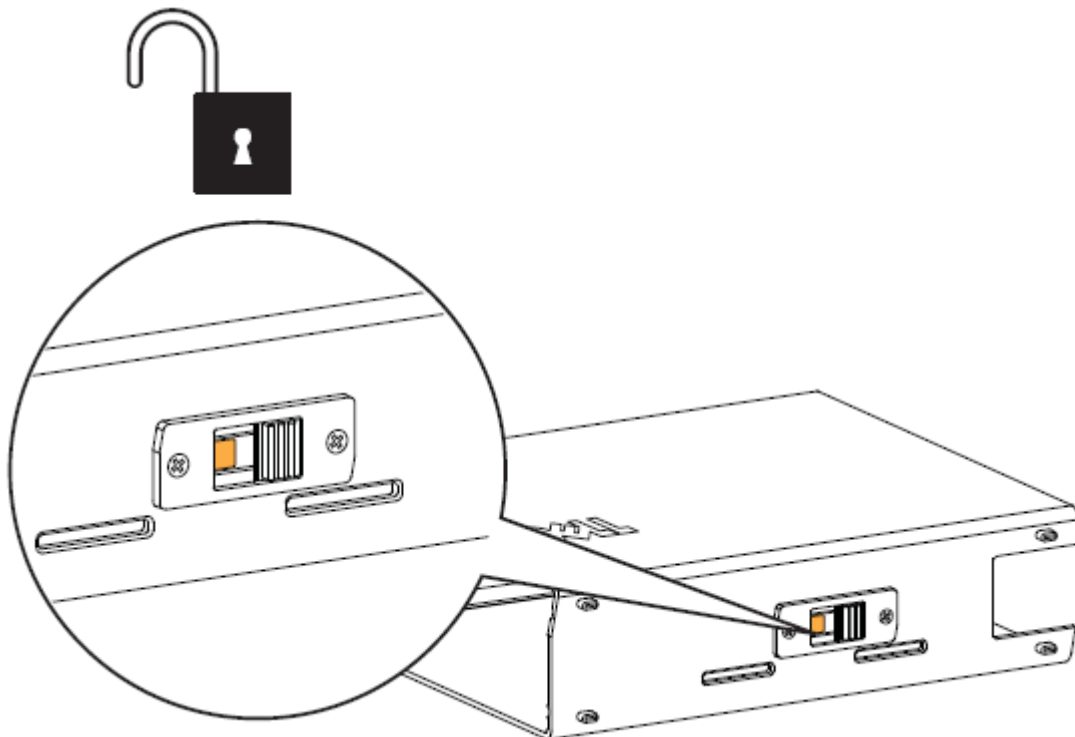




**5** Route the accessory cable (keyboard, mouse, speakers, etc.) through the cable tray.

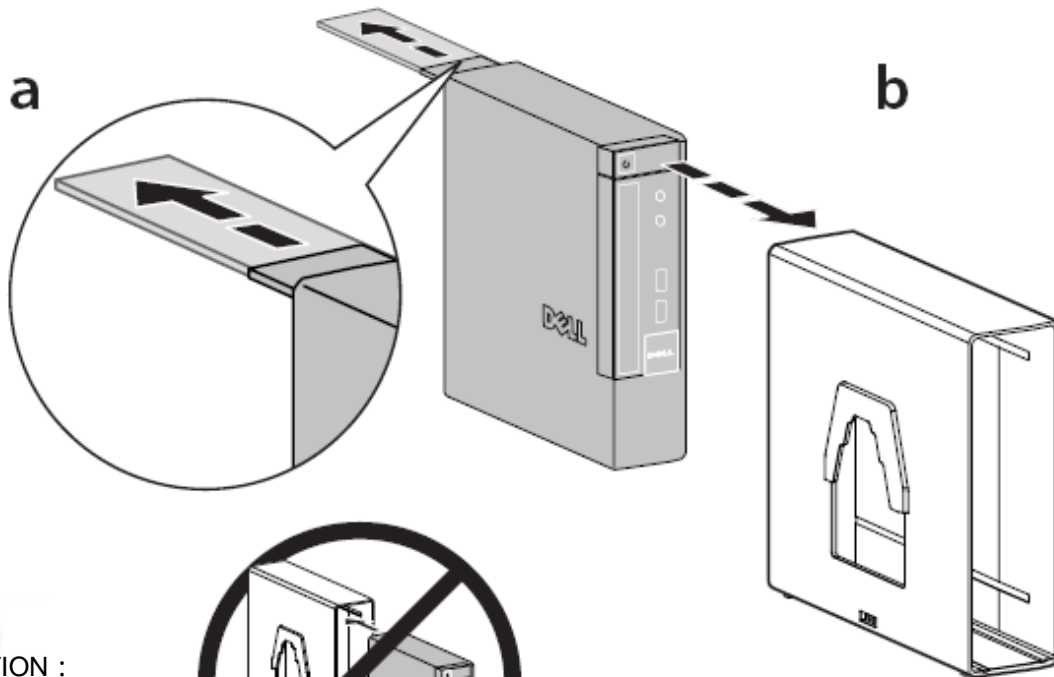


**6** Ensure the system sleeve is unlocked (orange tab will show).



**7 a** Extend the system label carrier.

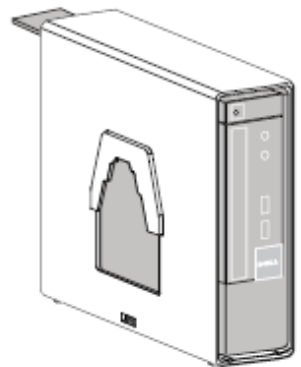
**b** If applicable, remove mylar from front surface(s) of chassis prior to sleeve installation. Insert the system into the system sleeve in the orientation illustrated below.



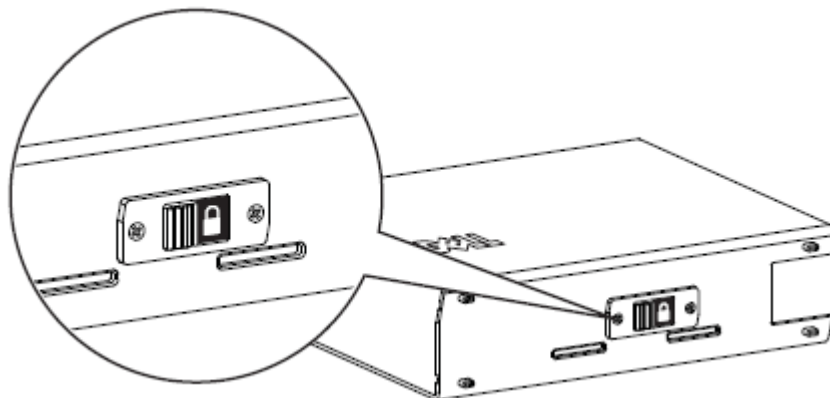
**CAUTION :**  
Do not reverse the  
insertion orientation!



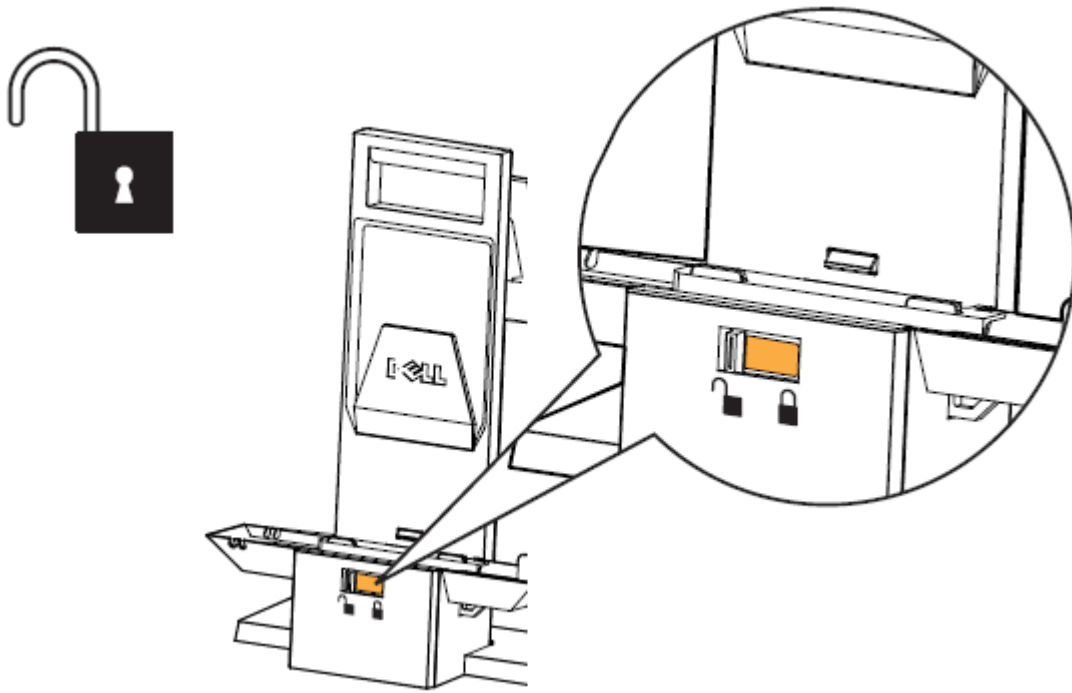
**NOTE :** When inserted properly, the CD end of the system will reach the end of the system sleeve.



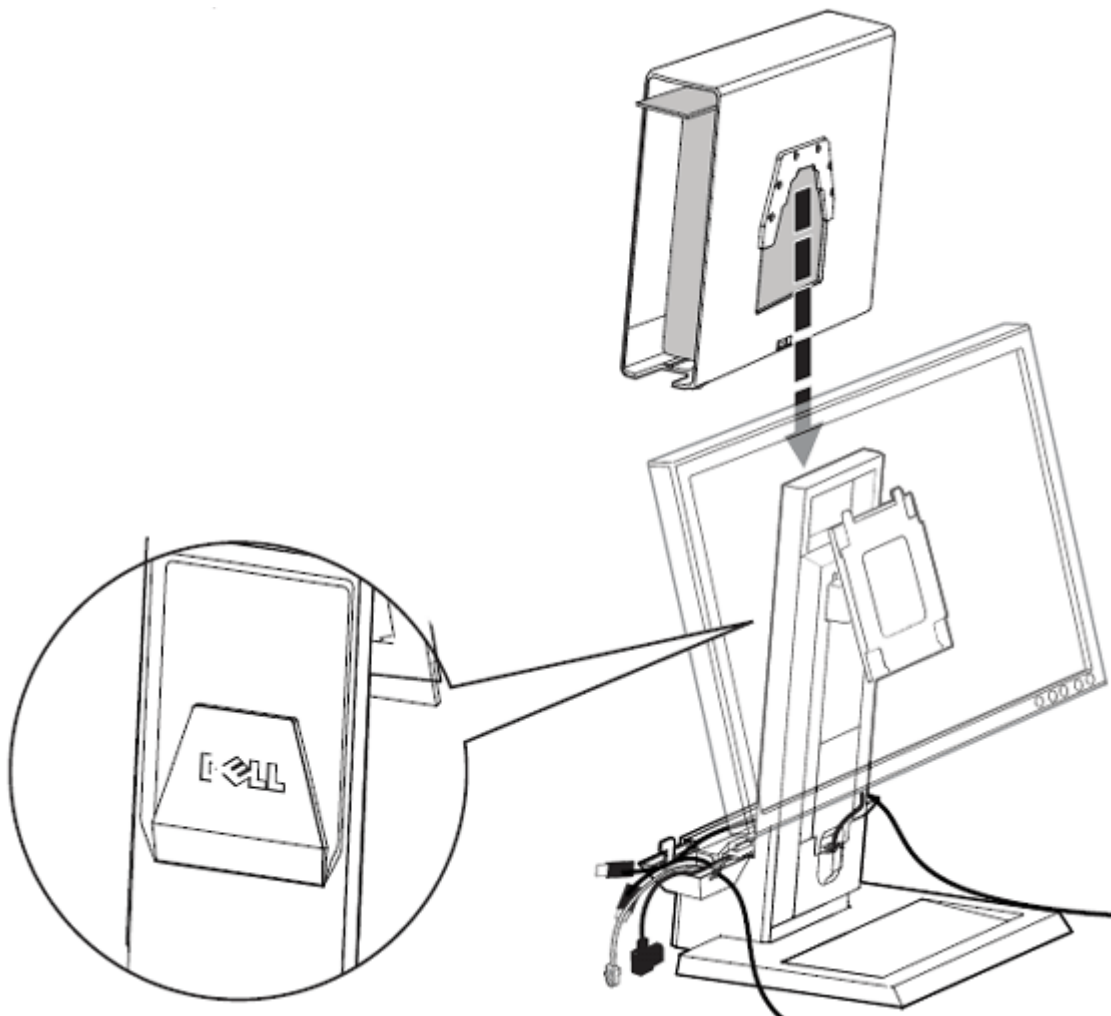
**8** Slide the switch to lock the system sleeve.



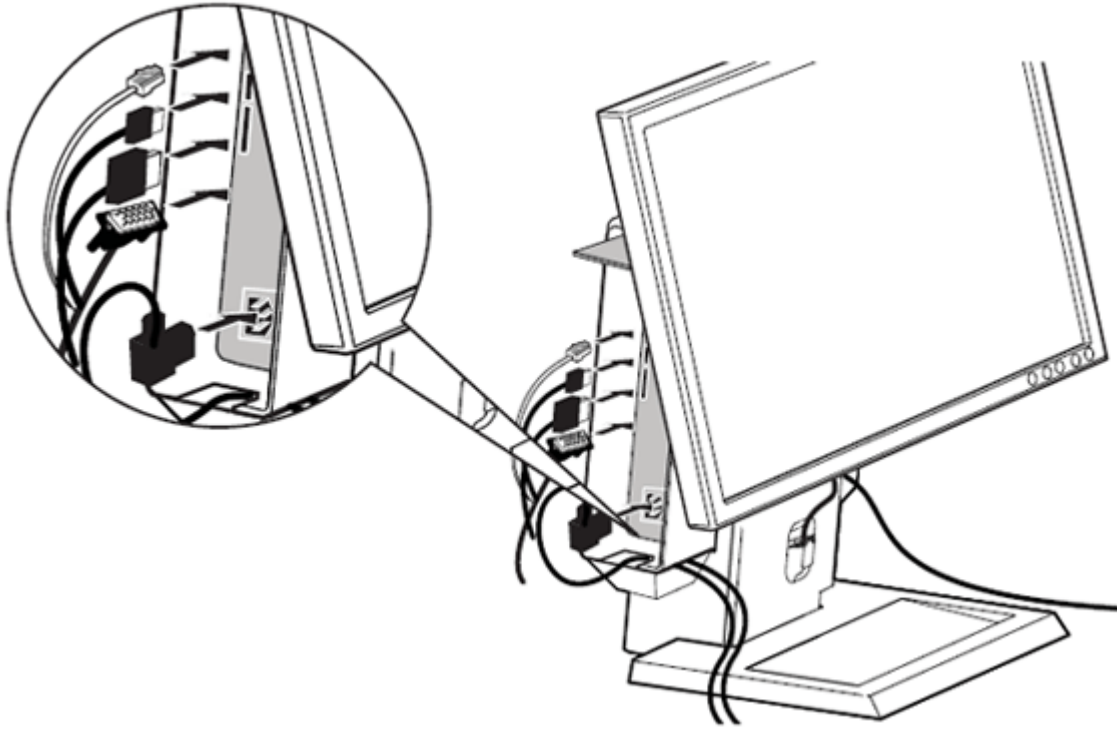
- 9** Ensure the AIO stand is unlocked (orange tab will show).



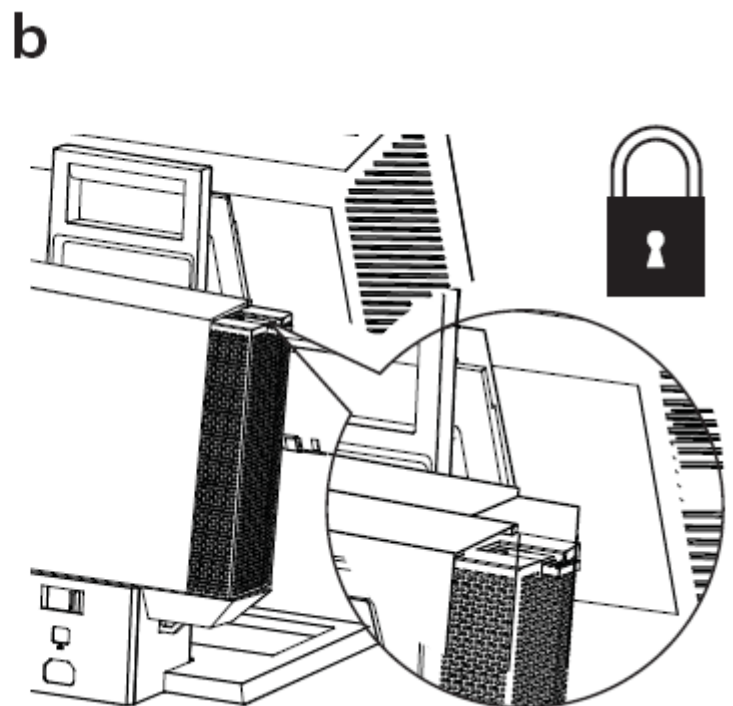
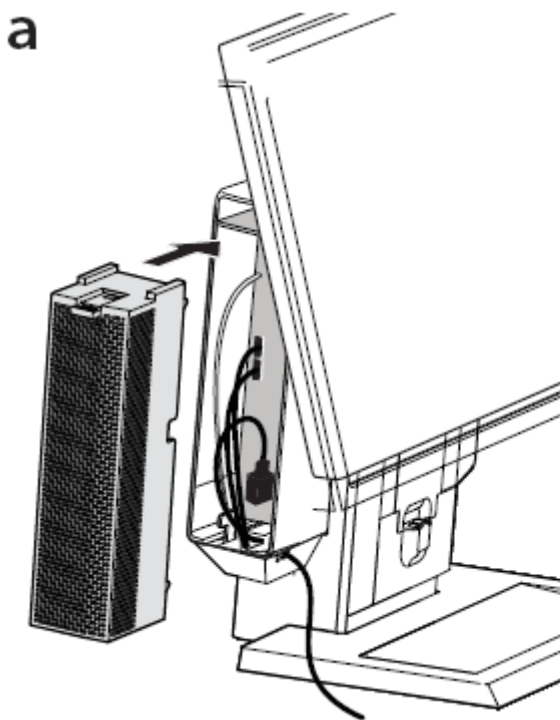
- 10** Slide the system sleeve onto the back of the AIO stand. Ensure that the cables do not impede the sleeve from fully seating onto the stand.



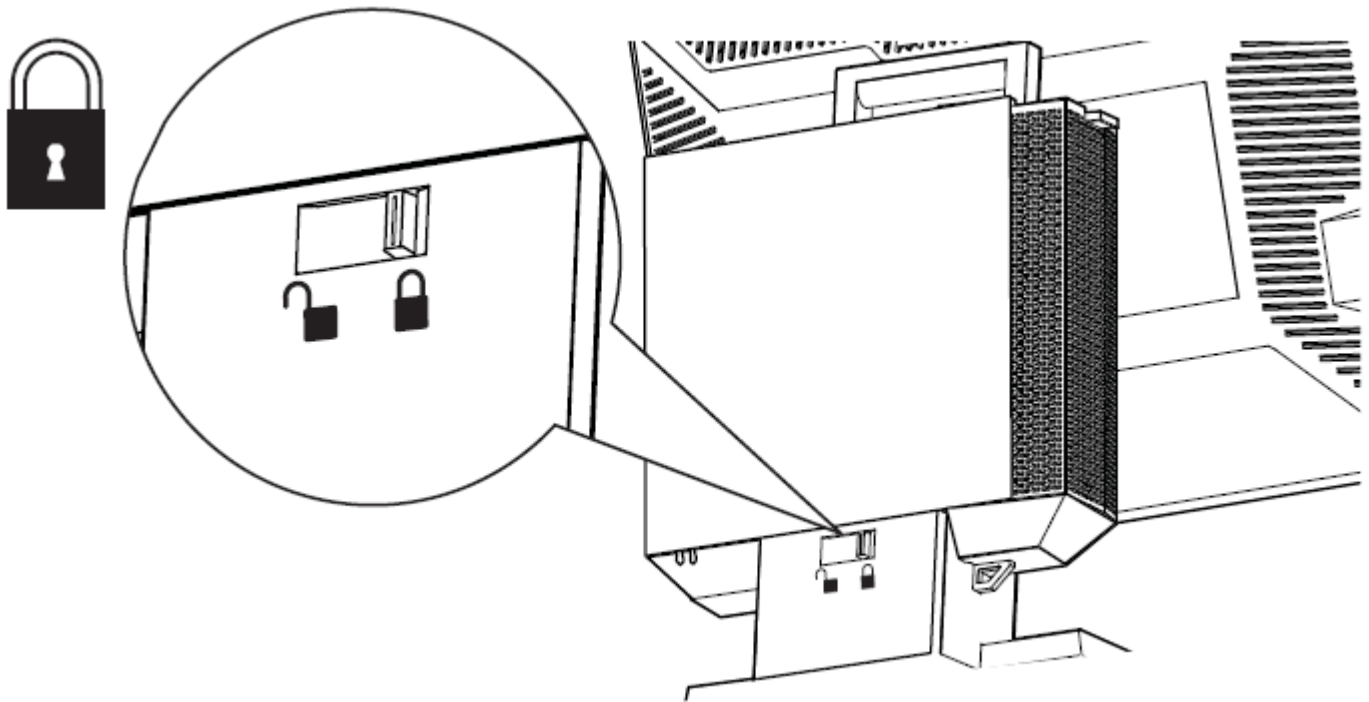
- 11** Connect the monitor cable (VGA or DisplayPort), power plug, network cable and any accessory cables, (keyboard, mouse, speaker, etc.) to the rear of the system.



- 12**
- a** Slide the lock switch out to unlock the cable cover. With the system label carrier extended, attach the cable cover underneath the label carrier and to the system sleeve. Then push the system label carrier back to reveal the cable cover lock switch.
  - b** Slide the switch to lock the cable cover.



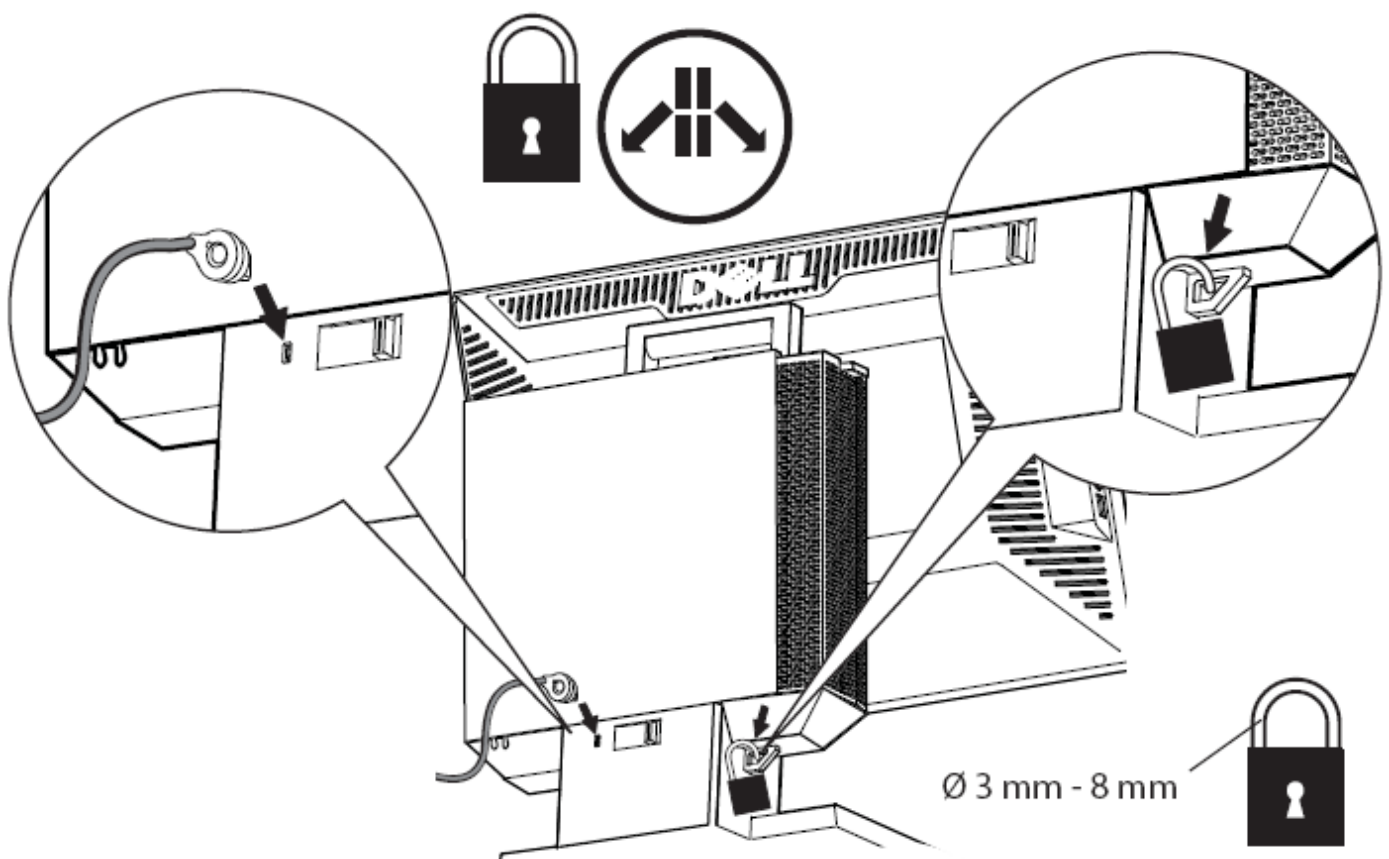
**13** Slide the switch to lock the AIO stand.



**14** Attach customer-supplied security accessories.

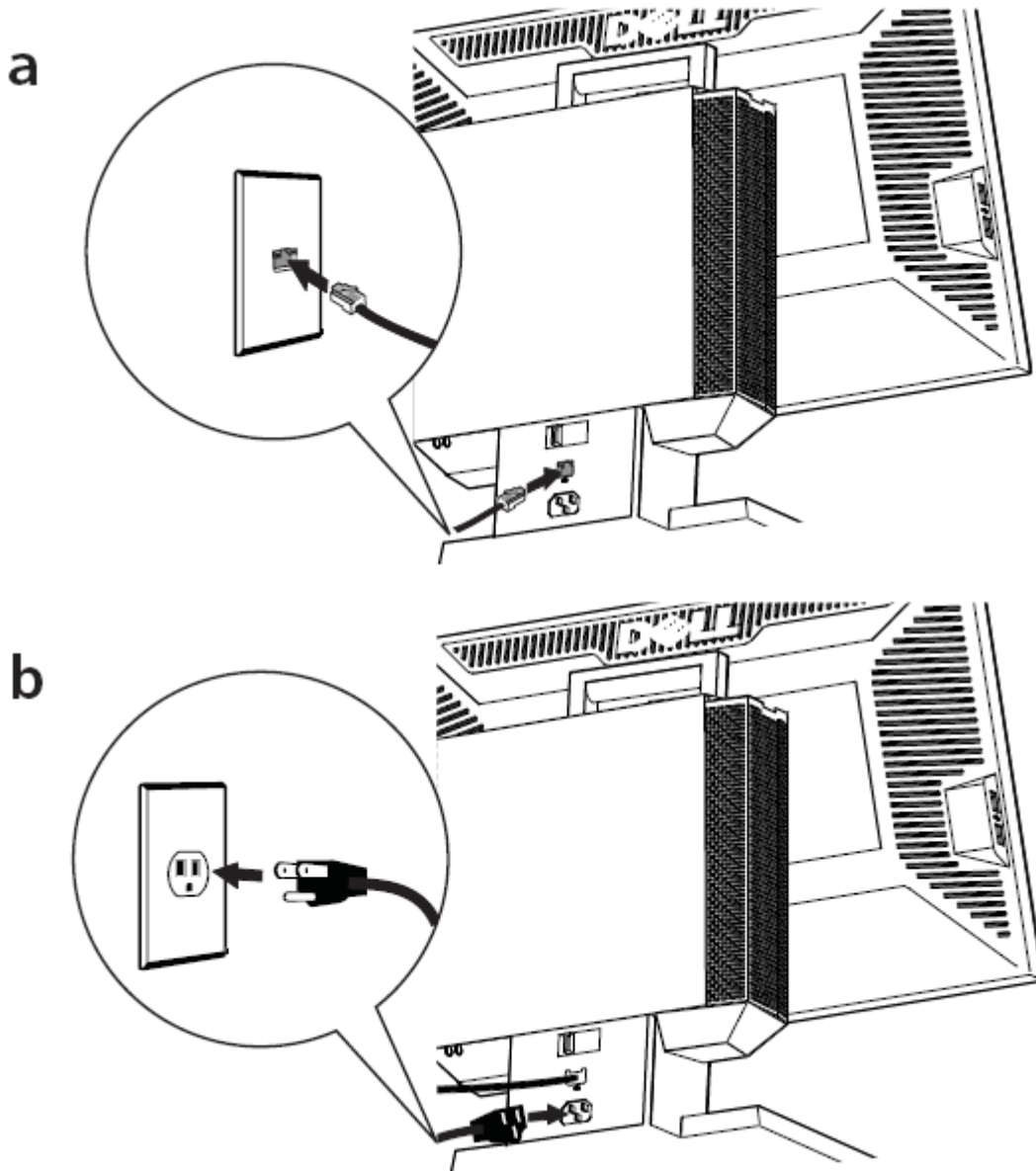


NOTE :These security features are only accessible when the AIO Stand lock is engaged as shown in Step 13.

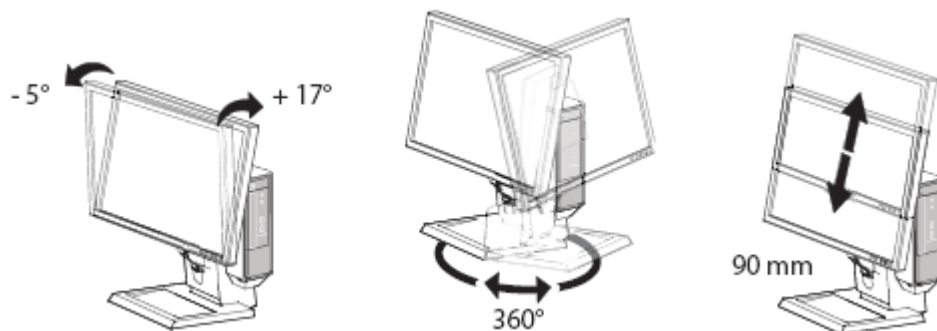


# 15

- a Connect your facility network cable to the rear of the AIO stand to access the facility network.
- b Connect the power cord supplied with the system to the rear of the AIO Stand and to facility wall power.



## Range of Motion



# Specifications

## Physical Dimensions\*

Height	15 inches (380 mm)
Depth	9.6 inches (245 mm)
Width	10.8 inches (275 mm)
Weight	8.0 lbs (3.7 kg)

\* not including monitor and system

## Monitor and System Weight Capacities

Dell Monitor: P190S/1909W/P2210	≤ 10.1 lbs (4.6 kg)
Dell System: OptiPlex 780-USFF	≤ 7 lbs (3.2 kg)

## Temperature

Operating	32°F to 95°F (0°C to 35°C)
Storage	-40°F to 149°F (-40°C to +69°C)
Transportation	-40°F to 149°F (-40°C to +69°C)

## Power Ratings

Input	100-120 V~, 50/60 HZ, 3.5 A
	220-240 V~, 50/60 HZ, 1.75 A
Output - Monitor Port	100-120 V~, 50/60 HZ, 1.5 A
	220-240 V~, 50/60 HZ, 0.75 A
Computer Port	100-120 V~, 50/60 HZ, 2.0 A
	220-240 V~, 50/60 HZ, 1.0 A

## Security Features

Kensington Security Slot	Accepts standard Kensington Slim MicroSaver
Padlock Ring	Accepts Padlocks with shaft diameter of 3 - 8 mm

## Finding Information

### If you need to:

Find safety best practices information for your computer, review Warranty information, Terms and Conditions (U.S. only), Safety instructions, Regulatory information, Ergonomics information, and End User Agreement.

### See:

The safety and regulatory documents that shipped with your computer and the Regulatory Compliance Homepage at [www.dell.com/regulatory\\_compliance](http://www.dell.com/regulatory_compliance).